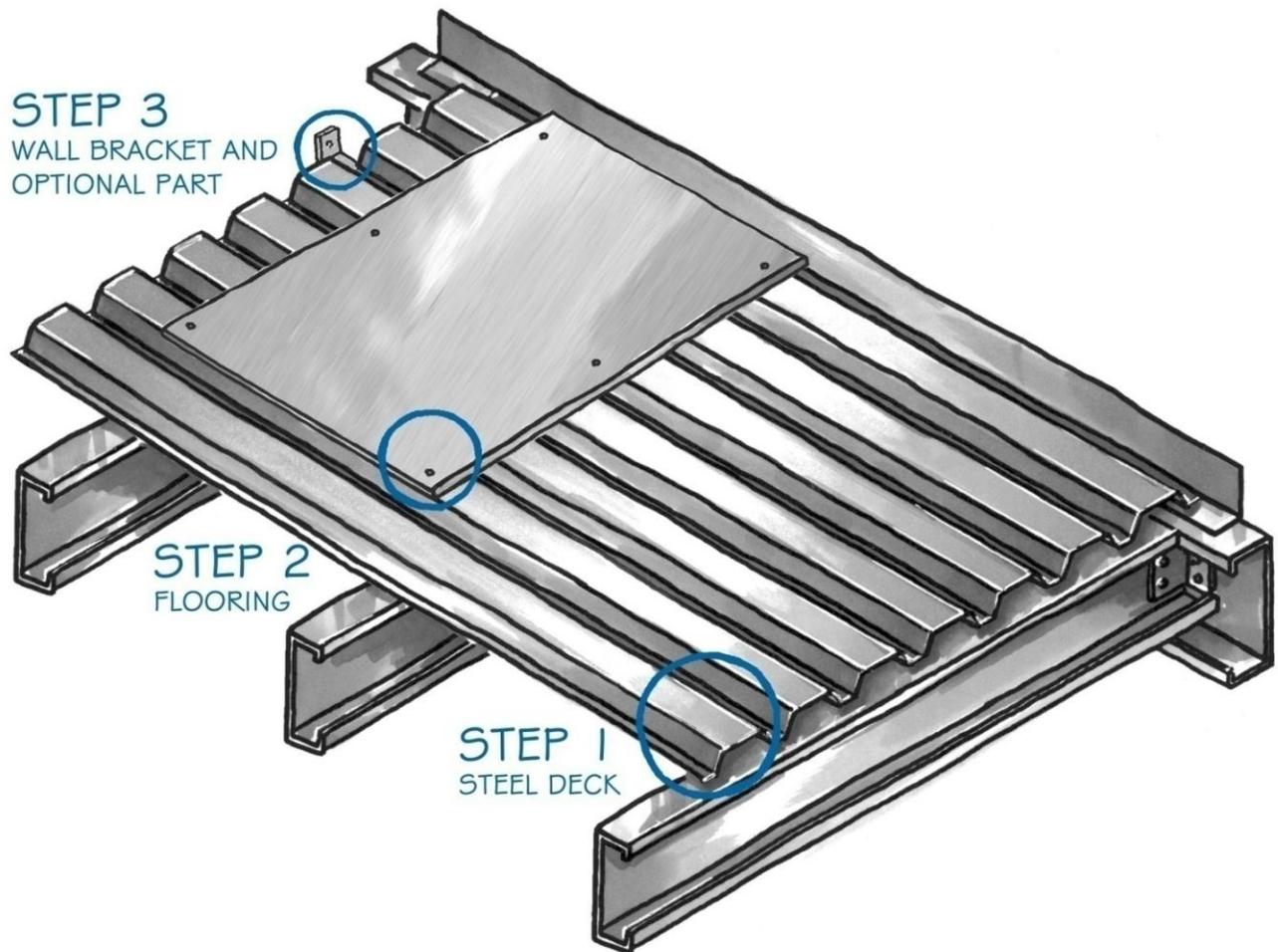


INSTALLATION MANUAL

For the most current release of this manual,
please visit our website at cogan.com
V.2013.1



Product	Mezzanine
Sub-product	Flooring

- Step by step installation of corrugated steel decking, resin board, open bar grating, open steel planking, concrete overlay, diamond and smooth plate.

- Refer to installation drawings for orientation of flooring



A Tradition of Quality Since 1901

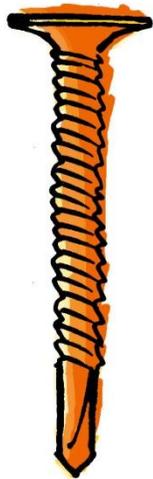
cogan.com



Ø1/4"x1" HEX
HEAD TEK SCREW



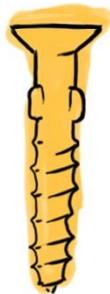
Ø1/4"x1 3/4" HEX
HEAD TEK SCREW



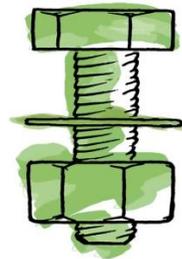
Ø1/4"x4" FLAT
HEAD TEK SCREW



Ø1/4"x2" FLAT
HEAD TEK SCREW



RESINTEK APPROVED
WOOD SCREW



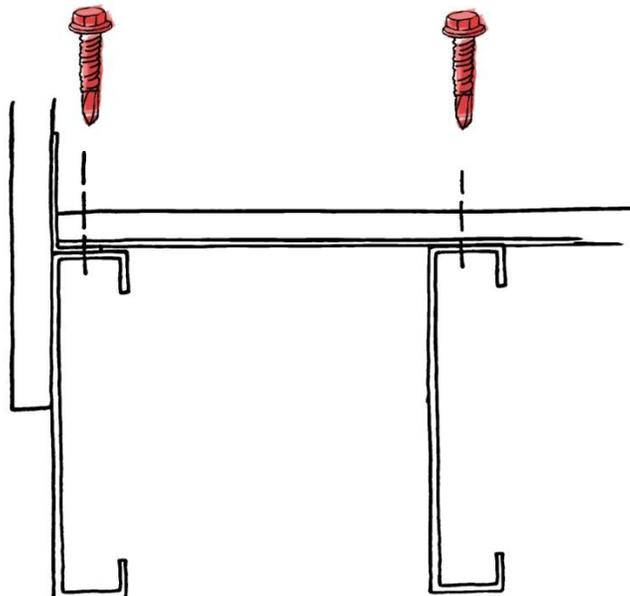
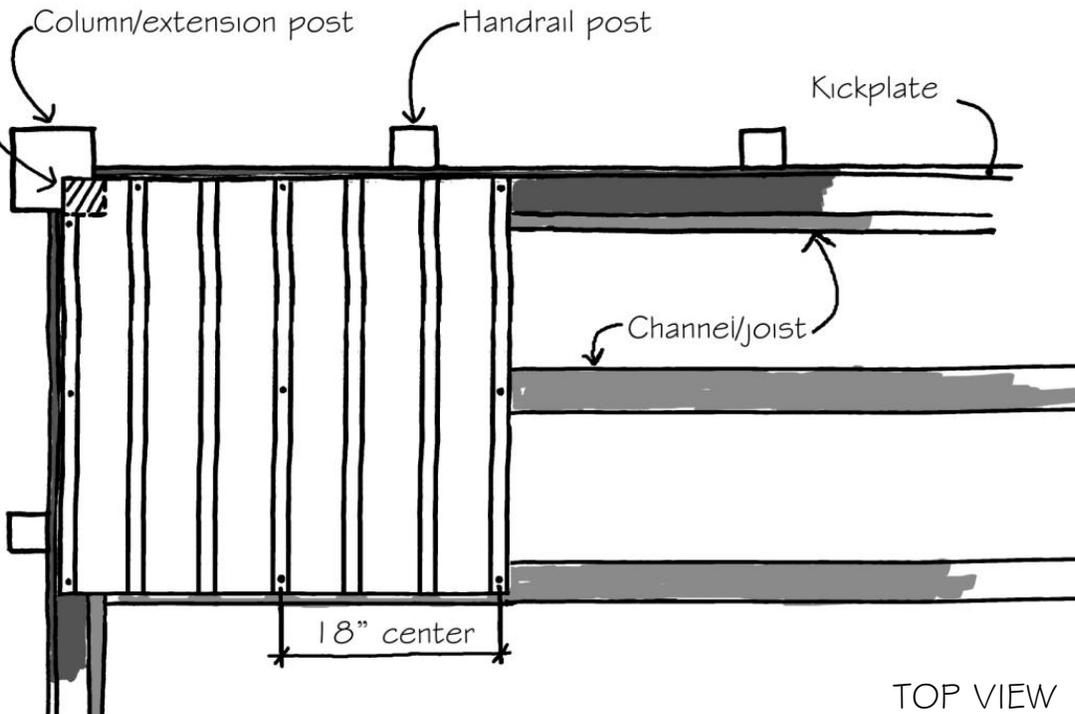
Ø5/16"x1" BOLT

STEP 1

STEEL DECK (ROOF DECK)



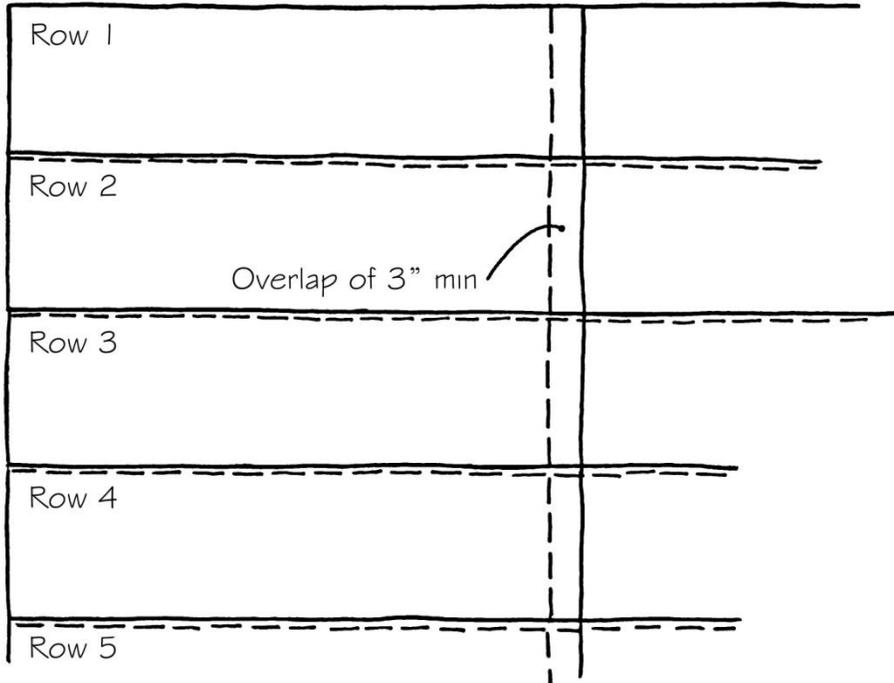
For all types of flooring notching and fitting may occur



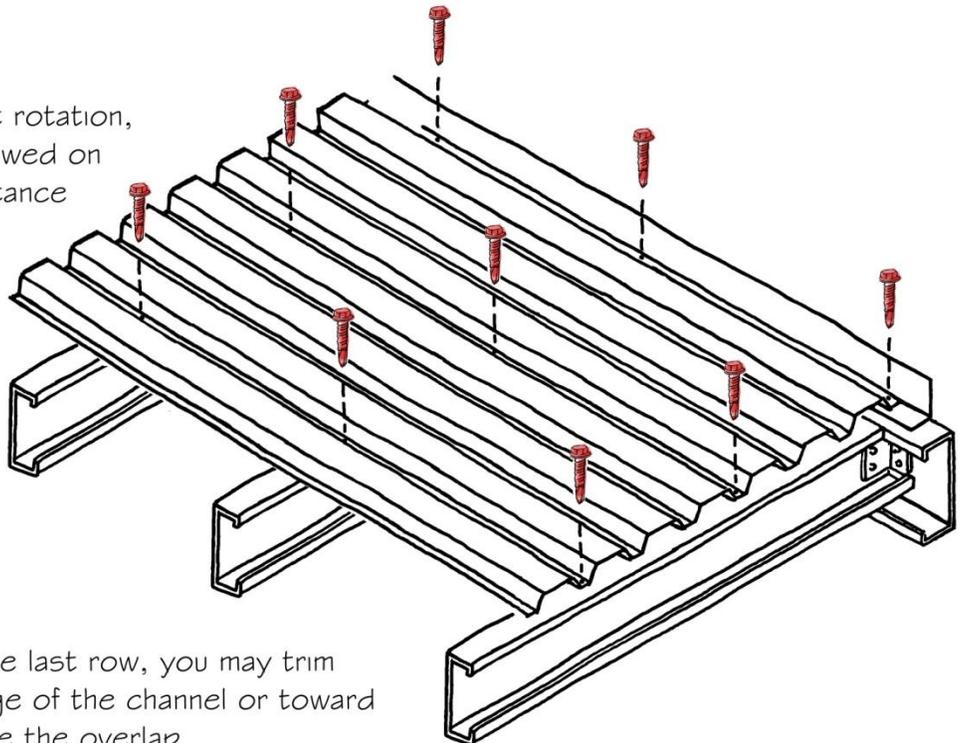
SIDE VIEW



Install roof deck panels starting with row 1. Always begin from edge of a channel or wall. Check on your installation drawings to know where to put the first panel and the length of it. Continue with row 2 and fix it side by side with an overlap all along the panel.



In order to prevent joist rotation, steel deck must be screwed on all joist at 18" max. distance



Once you've reached the last row, you may trim the roof deck along edge of the channel or toward the wall or you may leave the overlap.

STEP 2

FLOORING (COMPOSITE RESIN BOARD)

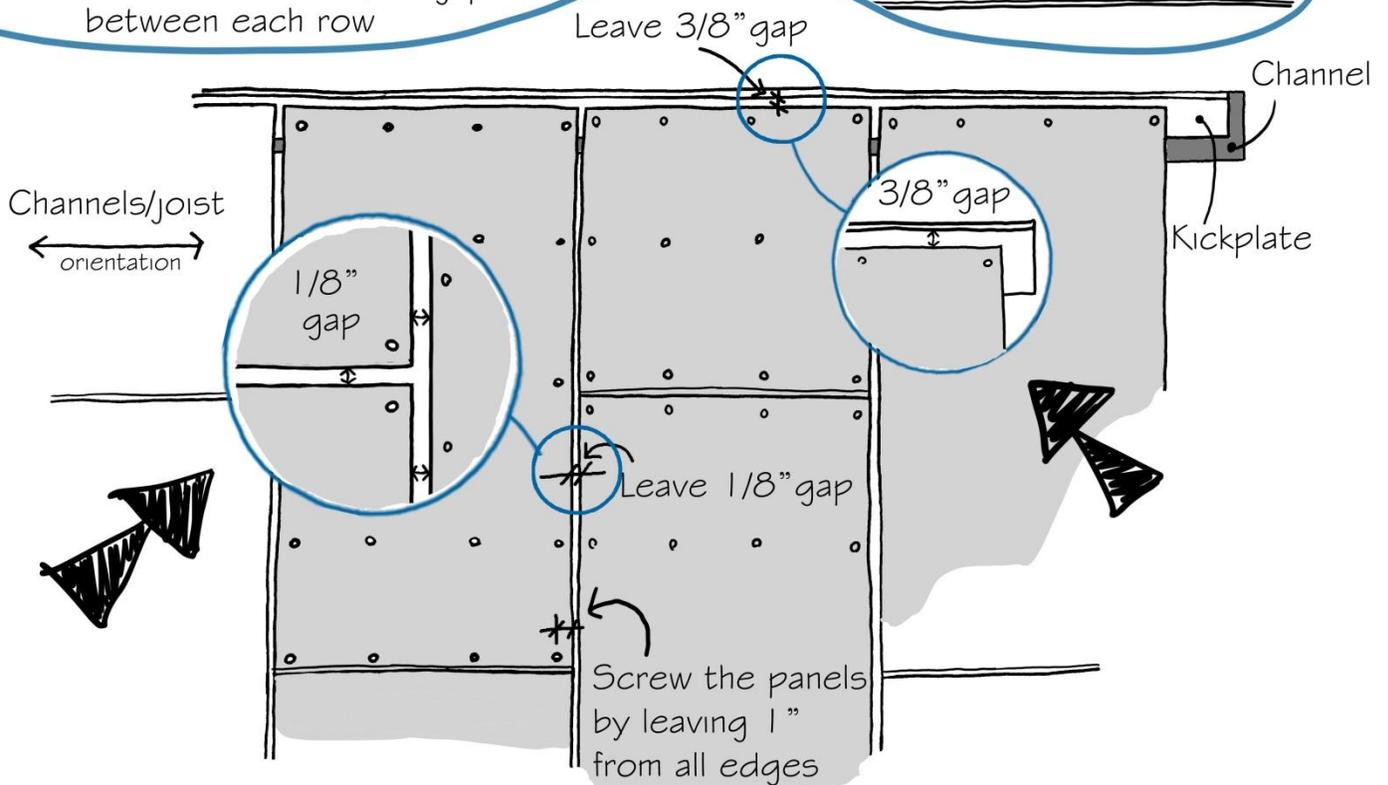


Cutting and fitting for composite deck is done by installer

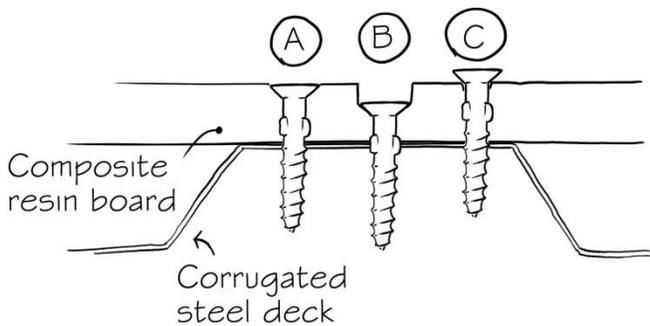
VERY IMPORTANT

ALWAYS leave 3/8" gap between walls and edges of panels around the perimeter of the mezzanine. Leave 1/8" gap between each row

IF YOU DO NOT FOLLOW THESE INSTRUCTION, THE FLOORING WILL BUCKLE

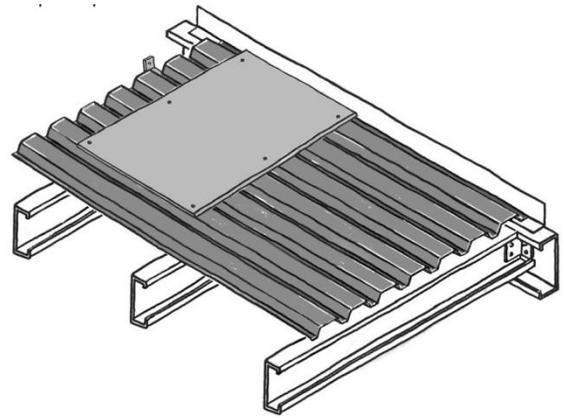


Approved screw must be placed just below the panel surface (A). Do not place approved screws too low (B) or too high (C) in the panels

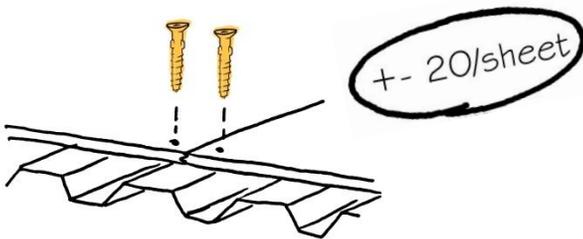


FLOORING (COMPOSITE RESIN BOARD)

 Try to always lay panels perpendicular to steel deck



Use approved ResinDek wood screw only (screw at every 18")

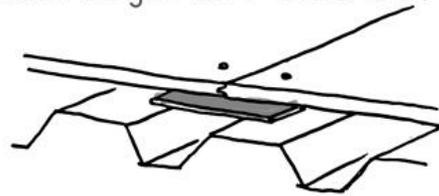


Composite resin board

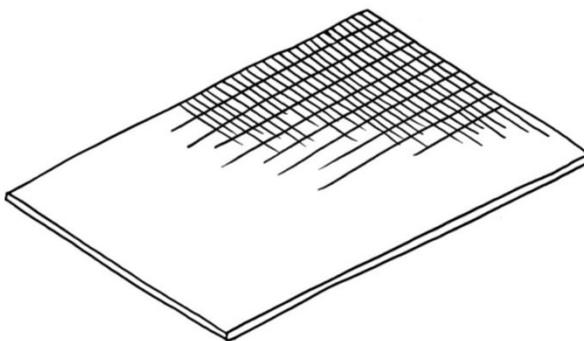
Stager panels so that joints break on different ribs. 48"x 6" x 20 gauge min. steel shims are used if joints breaks on a valley.

* COGAN SUPPLY LIMITED AMOUNT OF SHIMS PER PROJECT.

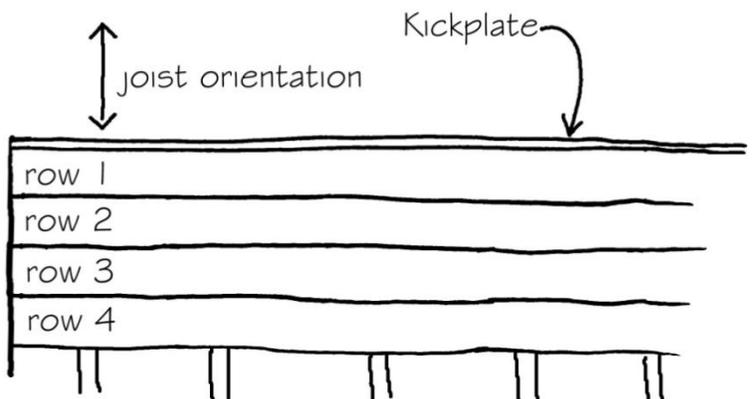
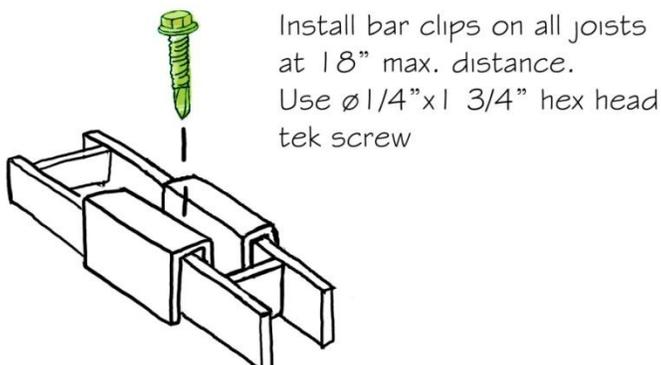
Keep them for future projects if you don't use them all. If you require more contact cogan at 1-800-567-2642.



FLOORING (BAR GRATING)



Install bar grating panels starting with row 1. The bar grating panel length is indicated on your installation drawing plan. Lay the panels side by side.

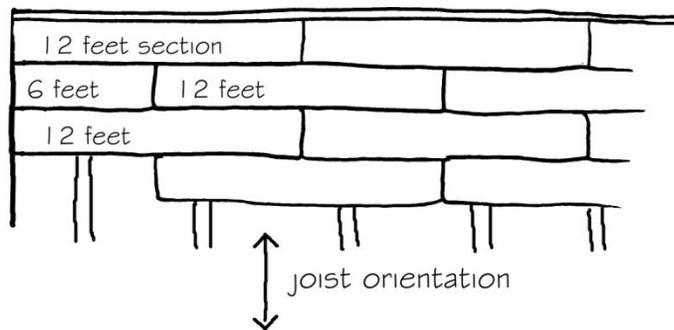


STEP 2

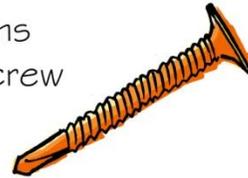
FLOORING (OPEN STEEL PLANKING)



Cutting and fitting for O.S.P.
is done by installer

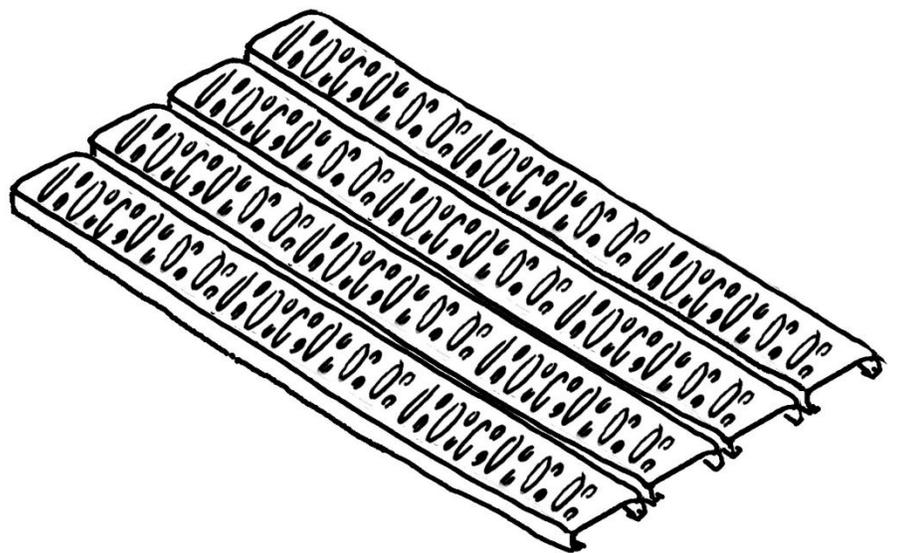
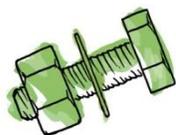


Drill $\varnothing 3/8$ " holes in O.S.P. at locations
over joists. Install 4" flat head tek screw
with Robertson bit.
(Use 15 screws per 100sq.ft.)



You must stagger the joints to ensure
a solid floor system

Attach each O.S.P. to its
adjacent O.S.P. at every
24" max. using $\varnothing 5/16$ " x 1" bolts

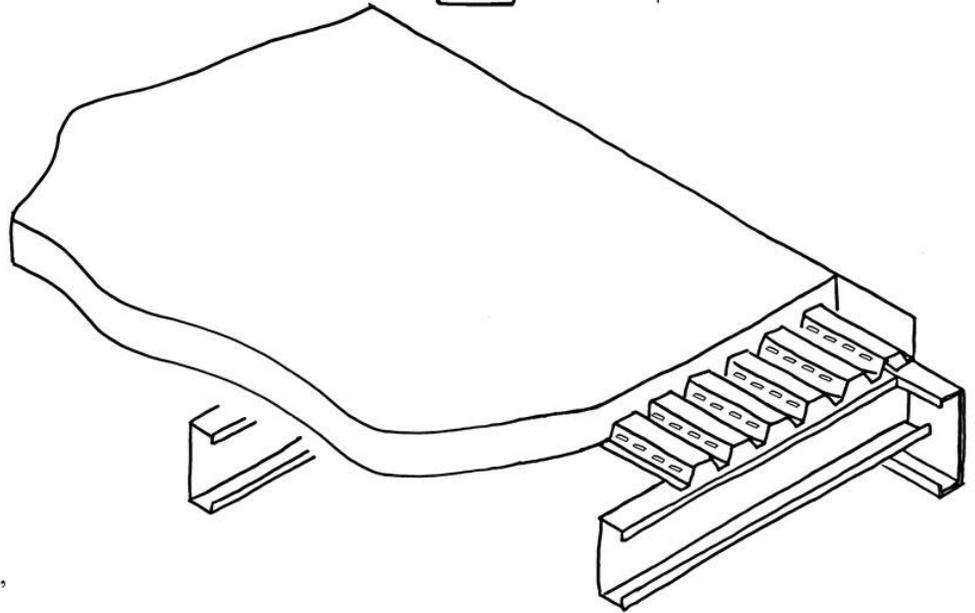


STEP 2

FLOORING (CONCRETE)

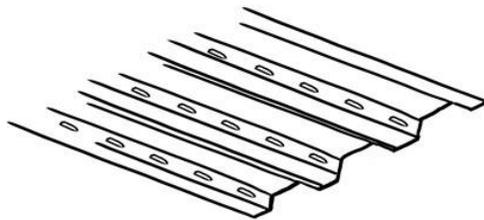


Refer to installation drawings for kickplate instruction

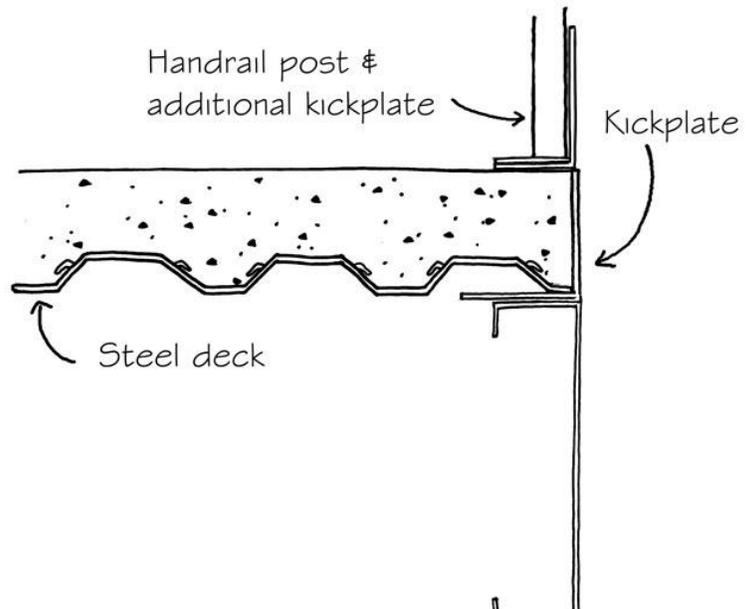
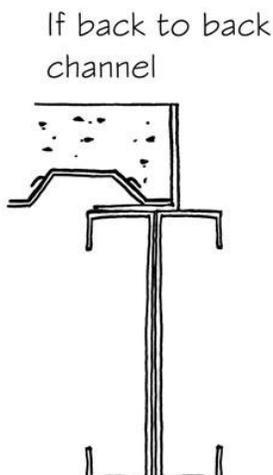
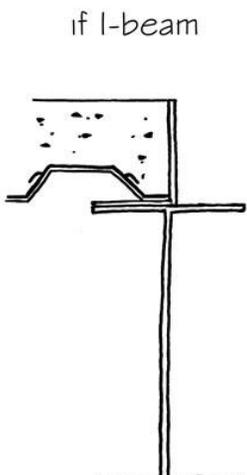


Once you have installed the 4"x 4" kickplate all around the mezzanine, you can then proceed to lay your composite steel deck.

MAKE SURE TO INSTALL ONLY COMPOSITE STEEL DECK AS PROVIDED (see drawing below).

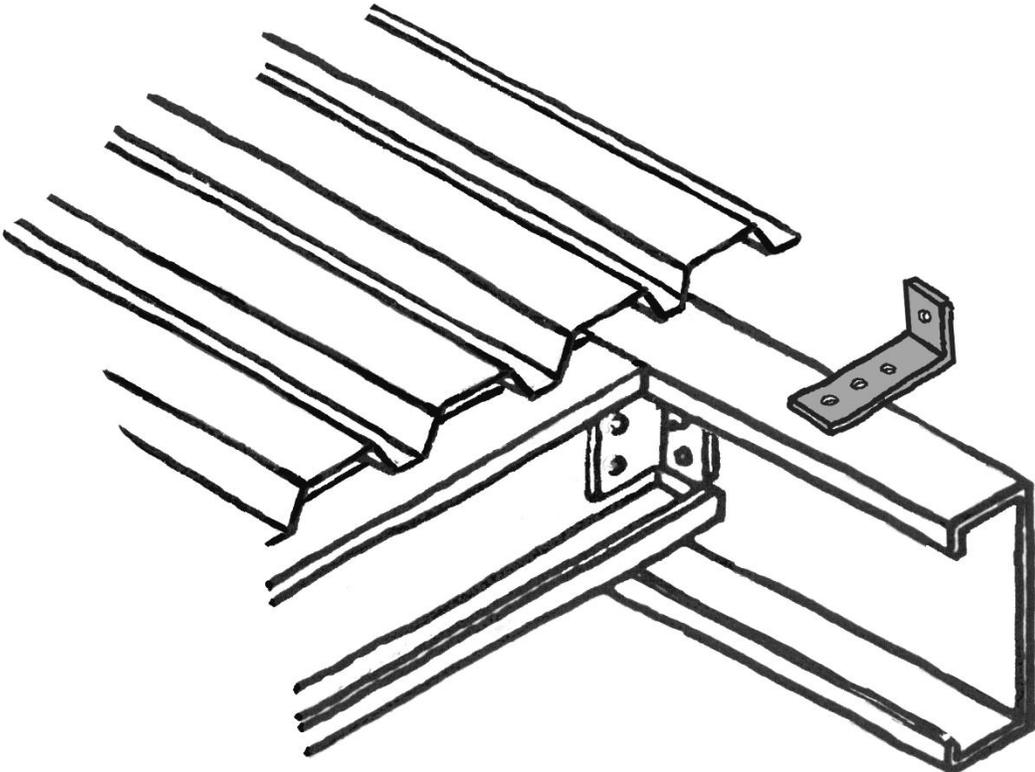
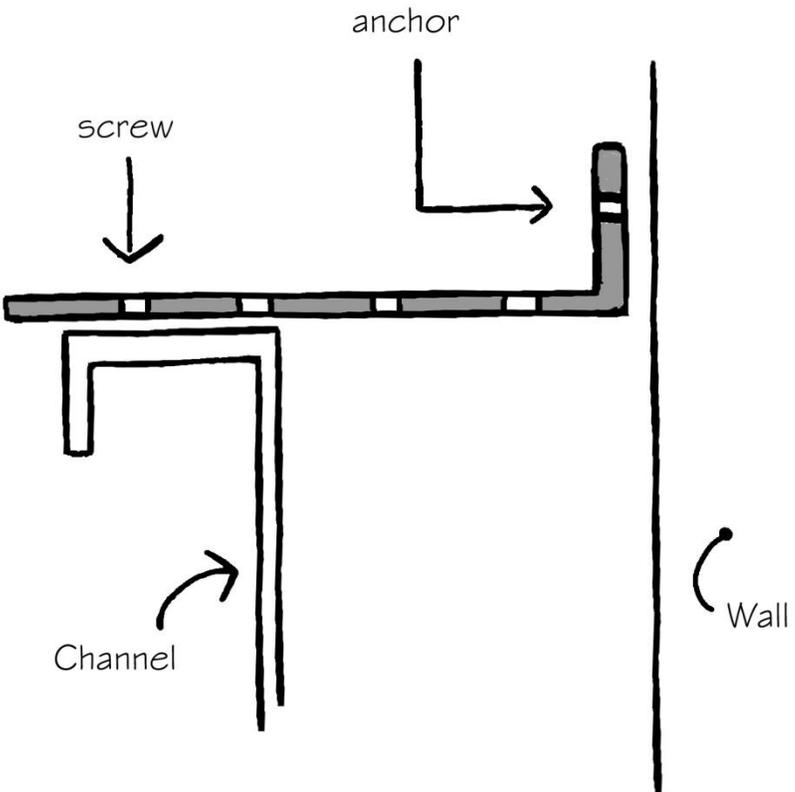


To prevent from leaking when pouring the concrete, install the composite steel deck over the kickplate and plug any openings. (Openings can be sealed with materials like rigid foam - **LEAK PROFING MATERIALS ARE NOT SUPPLIED BY COGAN**)



STEP 3

WALL BRACKET



STEP 3

OPTIONAL PART (LOADING PLATE)



Install the loading plate at gate opening (swing, sliding pr lift-out). To attach, tek screw to the flooring along the edge of loading plate.
THE LOADING PLATE IS SIZED TO MATCH THE OPENING, NO ADJUSTMENT REQUIRED

